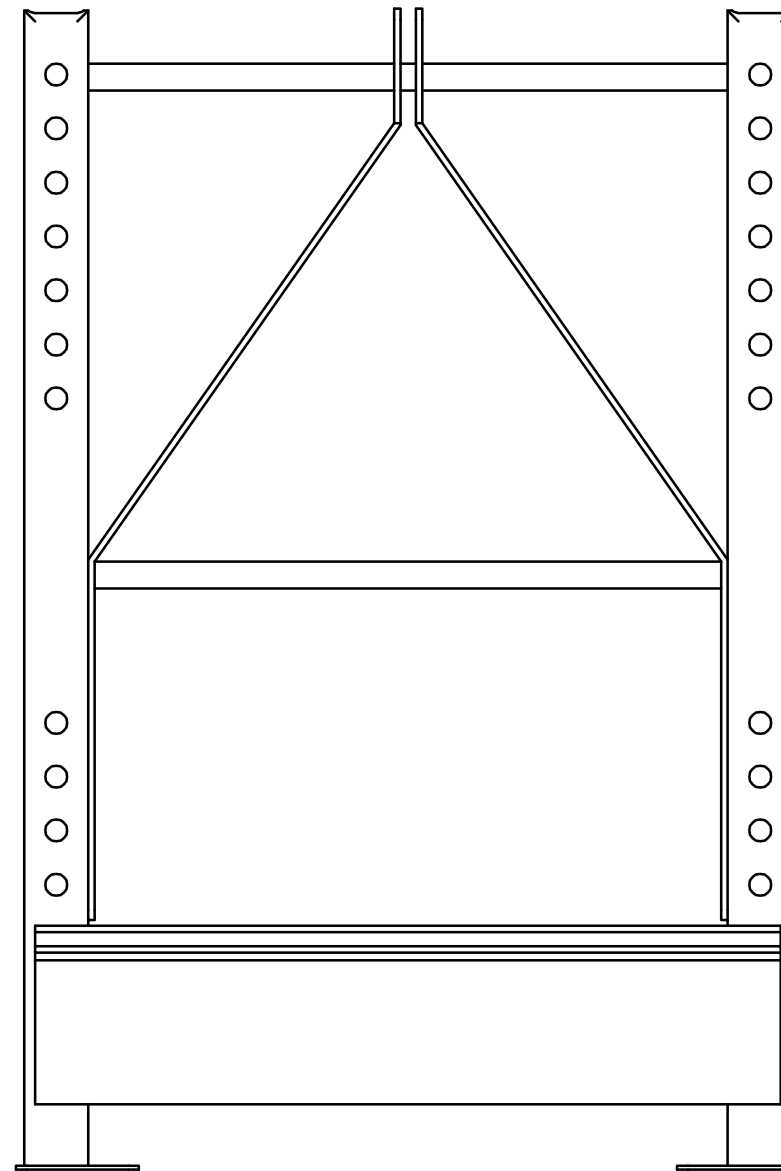
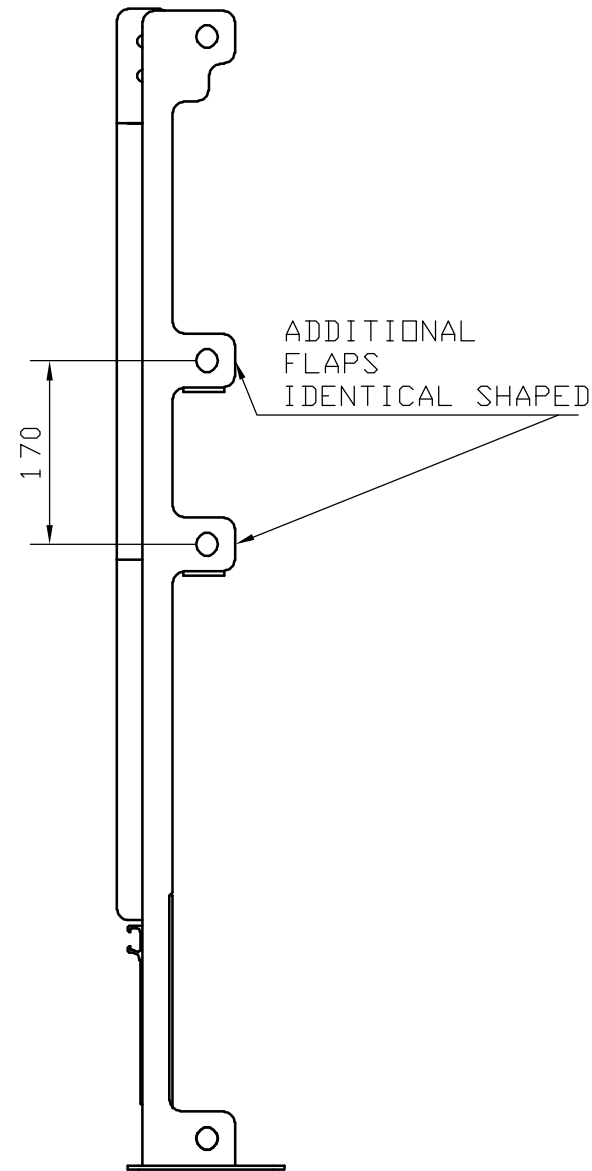


| ISO 2768-1973 | General tolerances | | | | | | | Angles tolerances | | | | | | | |
|---------------|--------------------|-------|-------|------|-------|------|------|-------------------|------|-------------------|------|------|------|------|-----|
| | mm | 0.5 | 3 | 6 | 30 | 120 | 315 | 1000 | 2000 | short side length | 0 | 10 | 50 | 120 | 400 |
| Class | | | | | | | | | | | | | | | |
| Fine | | ±0.05 | ±0.05 | ±0.1 | ±0.15 | ±0.2 | ±0.3 | ±0.5 | | Degree | ±1' | ±30' | ±20' | ±10' | |
| Medium | | ±0.1 | ±0.1 | ±0.2 | ±0.3 | ±0.5 | ±0.8 | ±1.2 | | mm/100mm | ±1.8 | ±0.9 | ±0.6 | ±0.3 | |
| Rough | | ±0.2 | ±0.5 | ±0.8 | ±1.2 | ±2 | ±3 | | | | | | | | |

REMOVE ALL BURRS AND SHARP EDGES



IDENTICAL AS P. N. 61040 UNLESS OTHERWISE INDICATED

| Seq. | Reference | Description | Remark | Unit | Quantity |
|------|-------------|-------------|---------|----------|-----------------|
| | | Replace | Drawn | JB | 03.01.16 |
| | | Replaced by | Checked | | Scale |
| | | MATERIAL: | | Sheet nr | Size |
| MOD | DESCRIPTION | DATE | DWN | CHD | DWGNR. 61040-06 |
| | | | | | MOD |

