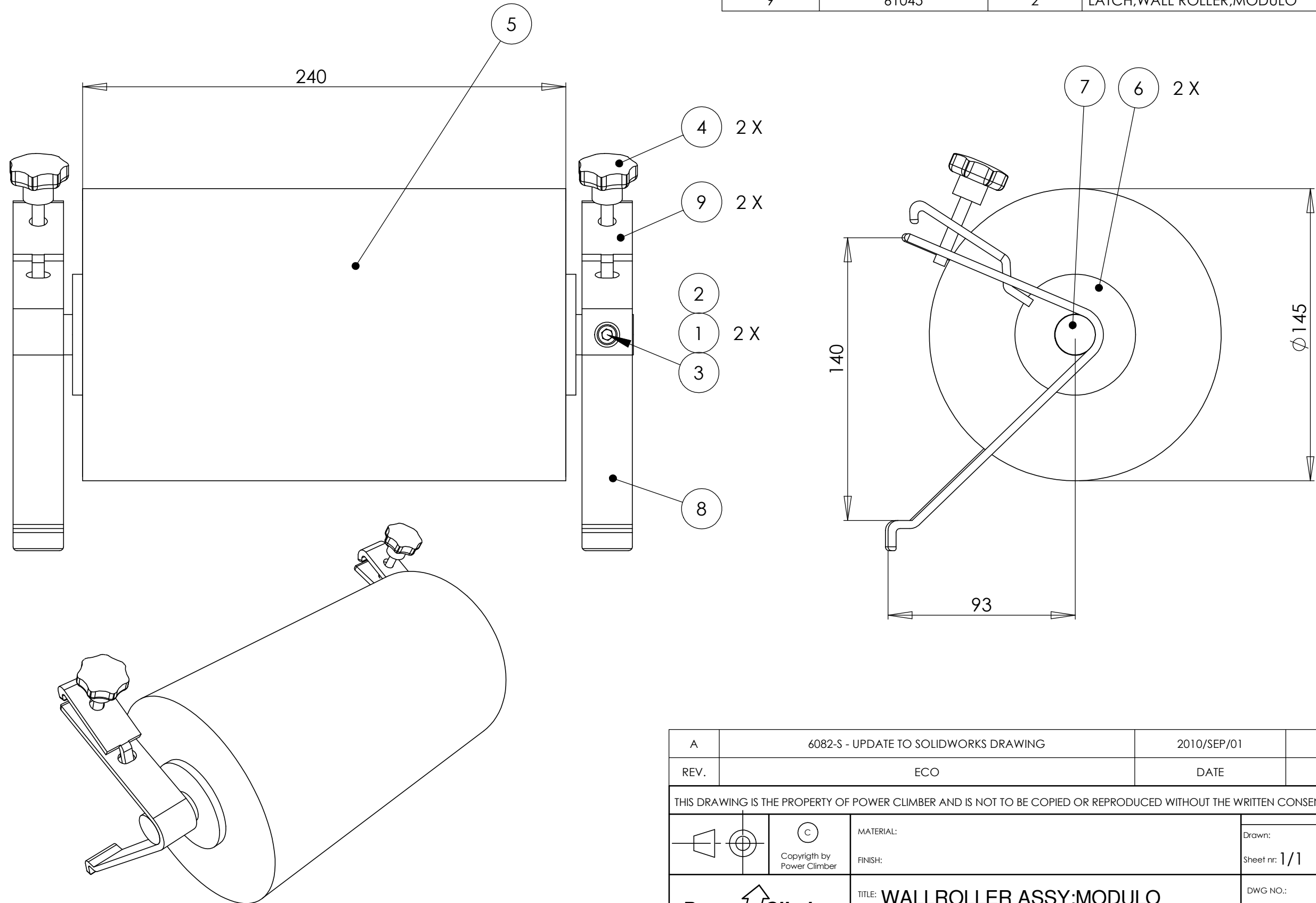


ITEM NO.	PART NUMBER	QTY.	DESCRIPTION
1	8863	2	WASHER;M6;DIN 125A;A2
2	8882	1	NUT;M6;NYLOCK;DIN 985;A2
3	41182	1	SCREW;SHCS;M6X40;DIN912;ZN
4	41511	2	KNOB;STAR;SCREW;M6X35;BLACK
5	60047	1	WALL ROLLER;MODULO
6	60260	2	BUSHING;WALL ROLLER;MODULO
7	61043	1	SHAFT;WALL ROLLER;MODULO
8	61044	1	BRACKET;WALL ROLLER;MODULO
9	61045	2	LATCH;WALL ROLLER;MODULO



A	6082-S - UPDATE TO SOLIDWORKS DRAWING	2010/SEP/01	MEL	LW
REV.	ECO	DATE	BY	CHK
THIS DRAWING IS THE PROPERTY OF POWER CLIMBER AND IS NOT TO BE COPIED OR REPRODUCED WITHOUT THE WRITTEN CONSENT OF POWER CLIMBER				
	MATERIAL:	Drawn:	Date:	Scale:
	FINISH:	Sheet nr: 1/1	Size: A3	-
		TITLE: WALLROLLER ASSY;MODULO	DWG NO.: 61046	Modification: A